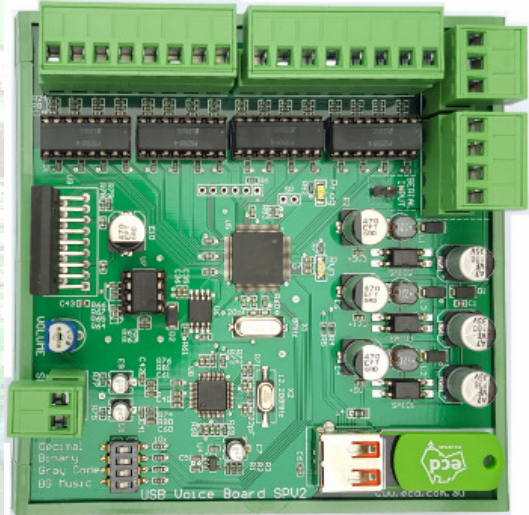


USB Voice Board SPV2

The USB Voice Board SPV2 (Serial Protocol) outputs floor, direction and message MP3 files which are played in the elevator car via the supplied speaker.

The Voice Board has the option of receiving input information directly with 24VDC inputs or via Serial Data.

The Voice Board requires a USB memory stick, loaded with MP3 files, to be inserted for programming. Once programmed, the USB is removed as files are now stored on the Voice Board dataflash.



Features:

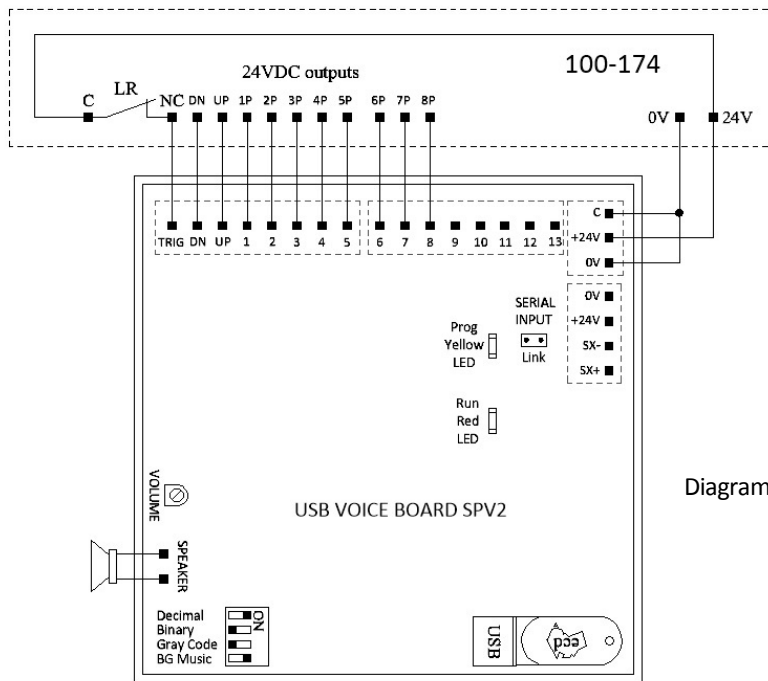
- Direct 24VDC inputs or Serial Data input.
- 8 inputs (1-8) for floor messages. Direct inputs may be configured as Decimal, Binary or Gray Code.
- Inputs may be positive or negative switched.
- Trigger (TRIG) input for initiating floor messages.
- 2 direction inputs (DN, UP) for direction messages.
- 4 special message inputs.
- Background music on/off selectable. BG music turns off 30s after last floor announcement.
- Program Voice Board with USB stick. USB stick removed once programmed. Programming software available
- Adjustable volume.

Wiring Using Direct inputs: See Diagram 1

- Ensure the Serial Input link jumper is not installed for Direct input operation.
- A 24VDC supply (100-150mA) is wired to the +24V and 0V terminals. A twisted pair looped through a ferrite core is recommended.
- All inputs use the "C" common terminal as their reference. If "C" is 0V then the inputs shall be 24V. If "C" is 24V then the inputs shall be 0V.
- Inputs 1 to 8 and TRIG – When any of the floor Inputs (1-8) is turned on and TRIG is switched from off to on, the floor message shall be played. Floor inputs may be Decimal, Binary or Gray Code, selectable via DIP switches.
- Select Background music on/off with BG Music DIP switch.
- UP, DN input – Direction of travel messages, "going up or "going down", shall be sounded after a floor input message, while a direction input is on.
- Inputs 9,10,11,12 – Special message inputs. Input 13. N/A. See Diagram 1.

Programming:

1. Program the USB memory stick for correct floor annunciation.
2. With power off, insert the USB stick into the Voice Board.
3. Power on the Voice Board. MP3 files from the USB stick will now be copied to the dataflash, indicated by the yellow Prog LED being on. When Prog LED turns off, power off the Voice Board and remove the USB stick. Power on the Voice Board, the red Run LED shall flash slowly at first, then quickly to indicate the Voice Board is running. Test operation by connecting the speaker, applying inputs and adjusting the volume.
4. Nb: If the USB stick is not removed, the Voice Board shall still operate. However, we recommend removal of the USB stick after programming is completed.



INPUTS

- 1-8. Floor position inputs
- 9. Lift Out of service
- 10. Fire service recall. Lift returning to main floor
- 11. Lift overload
- 12. Please stand clear of the moving doors
- 13. N/A

Nb: Floor Inputs 1-8 sound on input AND trigger

Message input 9 announces only once with input on and overrides all other inputs

Message inputs 10-12 repeat with input on

Diagram 1: 8 x 24V floor inputs. No special messages

Decimal inputs selected via DIP Switch

Serial Input Link jumper not installed

0V Common

BG Music on

TRIG activated by door locks opening

Wiring Using Serial Data input: See Diagram 2

- Ensure the Serial Input link jumper is installed.
- A 24VDC supply (100-150mA) is wired to the +24V and 0V terminals. A twisted pair looped through a ferrite core is recommended.
- Wire SX+ and SX- (Serial Data) from an ECD Encoder Board to the Voice Board using a shielded twisted pair.
- Nb: The direct inputs are wired to the Encoder Board.
- Select Background music on/off with BG Music DIP switch.

Programming:

1. Program the USB memory stick for correct floor annunciation.
2. With power off, insert the USB stick into Voice Board.
3. Power on the Voice Board. MP3 files from the USB stick will now be copied to the dataflash, indicated by the yellow Prog LED being on. When Prog LED turns off, power off the Voice Board and remove the USB stick. Power on the Voice Board, the red Run LED shall flash slowly at first, then quickly to indicate the Voice Board is running. Test operation by connecting the speaker, applying Encoder Board inputs and adjusting the volume.
4. Nb: If the USB stick is not removed, the Voice Board shall still operate. However, we recommend removal of the USB stick after programming is completed.

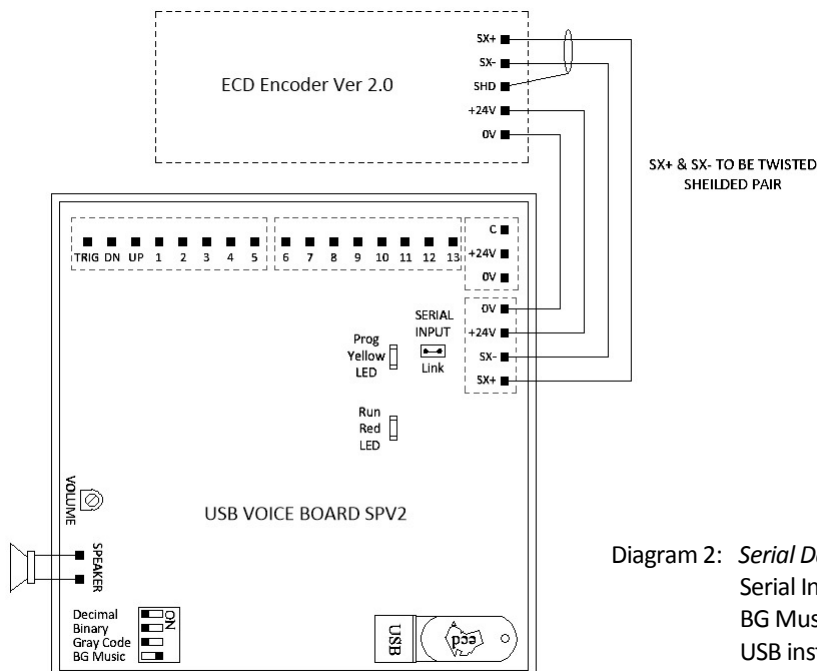


Diagram 2: Serial Data input

Serial Input Link jumper installed

BG Music on

USB installed for programming